

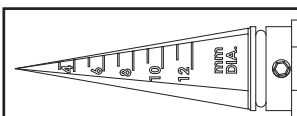


## Lighted Roll Bar Installation - 1979 Chevrolet® K10 Truck

Covers Part #9862X, 9863

### Tools required:

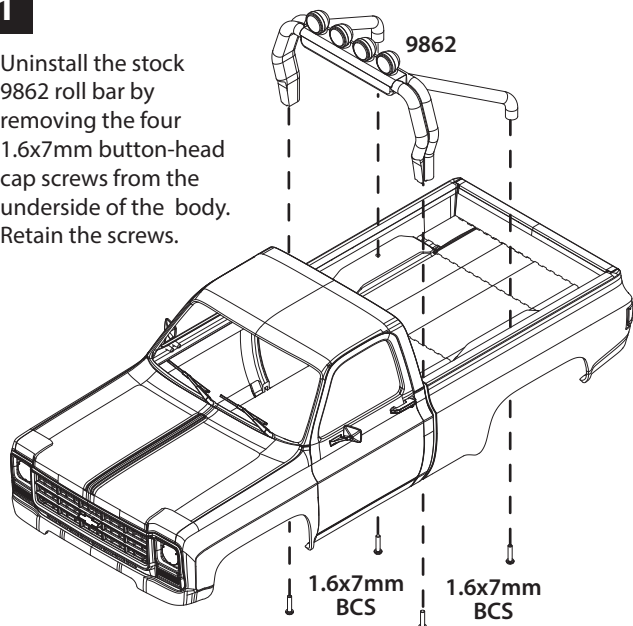
- 1.5 mm hex wrench
- Tapered body reamer (part #3433 or #3433X, sold separately)



Tapered Body Reamer Diameter Measurements

1

Uninstall the stock 9862 roll bar by removing the four 1.6x7mm button-head cap screws from the underside of the body. Retain the screws.

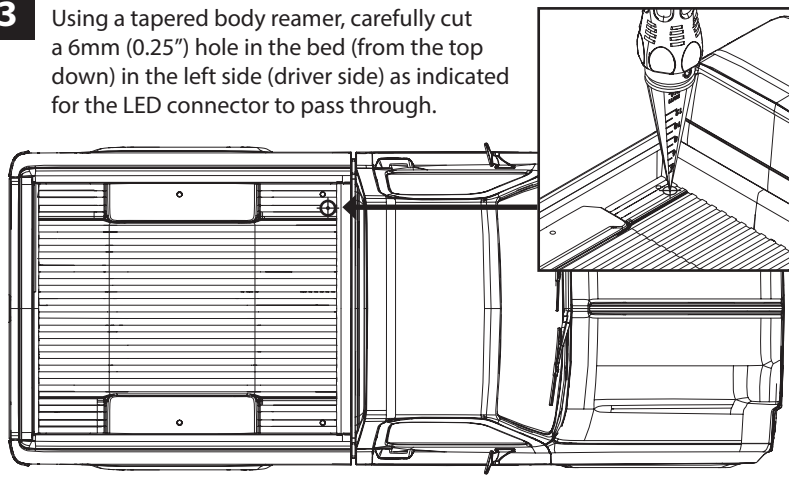


### CAUTION: RISK OF INJURY!

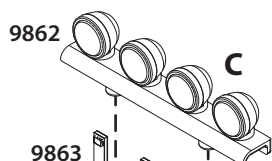
Use care with hobby knives, tapered reamers, and other cutting tools as they are extremely sharp and can cause severe injury, deep cuts, and/or punctures.

3

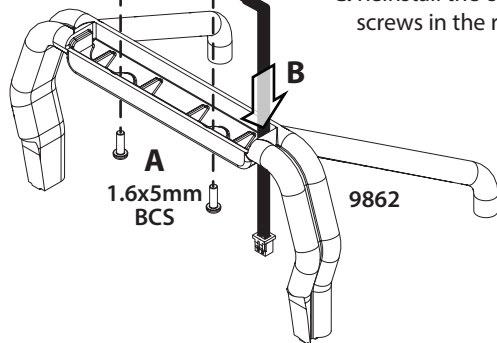
Using a tapered body reamer, carefully cut a 6mm (0.25") hole in the bed (from the top down) in the left side (driver side) as indicated for the LED connector to pass through.



### 2 9863 KIT ONLY (9862X kit skip to step 3)

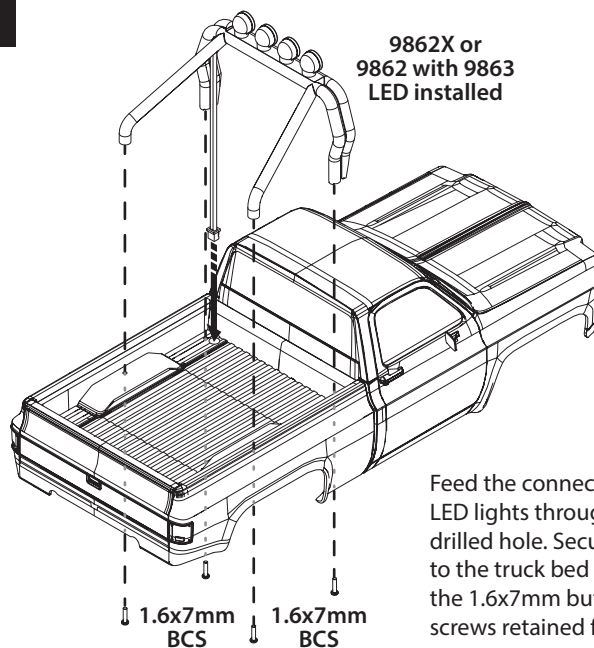


- Remove the 1.6 x 5mm button-head cap screws from the 9862 roll bar.
- Feed the power wire/connector through the hole in the roll bar and install the 9863 LED board.
- Reinstall the cover and screws in the roll bar.



4

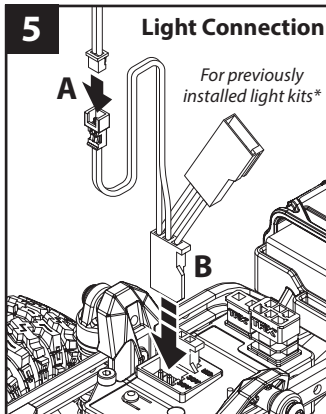
9862X or 9862 with 9863 LED installed



Feed the connector from the LED lights through the 6mm drilled hole. Secure the roll bar to the truck bed as shown using the 1.6x7mm button-head cap screws retained from step 1.

5

### Light Connection



- Plug the connector from the LED lights into the white connector of the included Y-harness.
- Plug the other end of the Y-harness into an open ACC port on the electronic control module (ECM). The LED lights will turn on when the ECM is powered on by plugging in the battery.

\*If there are no open ACC ports on the ECM due to previously installed light kits, unplug one of the connectors from the previously installed light kit, plug that connector into the Y-harness, and then plug the Y-harness into the ECM.

If you have questions or need technical assistance, call Traxxas at

# 1-888-TRAXXAS

(1-888-872-9927) (U.S. residents only)

Chevrolet® is a trademark of General Motors.  
All copyrights and trademarks are used by Traxxas under license.

TRAXXAS.COM

Traxxas, 6250 Traxxas Way, McKinney, TX 75070, Phone: 972-549-3000, Fax: 972-549-3011, e-mail: support@Traxxas.com

HKC23072-R00 Rev 230717